

Product data sheet

Characteristics

8910DPA32V09

Contactor, Definite Purpose, 30A, 2 pole, 5 HP at 230 VAC, 1 phase, 208/240 VAC 60 Hz 220 VAC 50 Hz coil, open



Product availability: Stock - Normally stocked in distribution facility

Price*: 91.38 USD



Main

Product or component type	Definite Purpose Contactor
Line Rated Current	30 A
Poles description	2P
Pole contact composition	2 NO
Range of product	DPA

Complementary

Maximum Horse Power Rating	2 Hp 115 V AC, 1 phase 5 Hp 230 V AC, 1 phase
Locked rotor rated current	150 A 460 V AC 120 A 575 V AC 180 A 277 V AC
[Ue] rated operational voltage	600 V AC
[Uc] control circuit voltage	208...240 V AC 60 Hz 220 V AC 50 Hz
Phase	1 phase
Electrical connection	Quick connect terminals Binder head

Environment

Product certifications	UL Recognized CSA
------------------------	----------------------

Ordering and shipping details

Category	21343 - 8910 DPA 3_(30 AMP)
Discount Schedule	CP1B
GTIN	00785901749813
Nbr. of units in pkg.	1
Package weight(Lbs)	15.68 Oz (444.521 g)
Returnability	Yes
Country of origin	CN

Packing Units

Unit Type of Package 1	PCE
Package 1 Height	2.60 In (6.604 cm)
Package 1 width	3.20 In (8.128 cm)
Package 1 Length	4.00 In (10.16 cm)

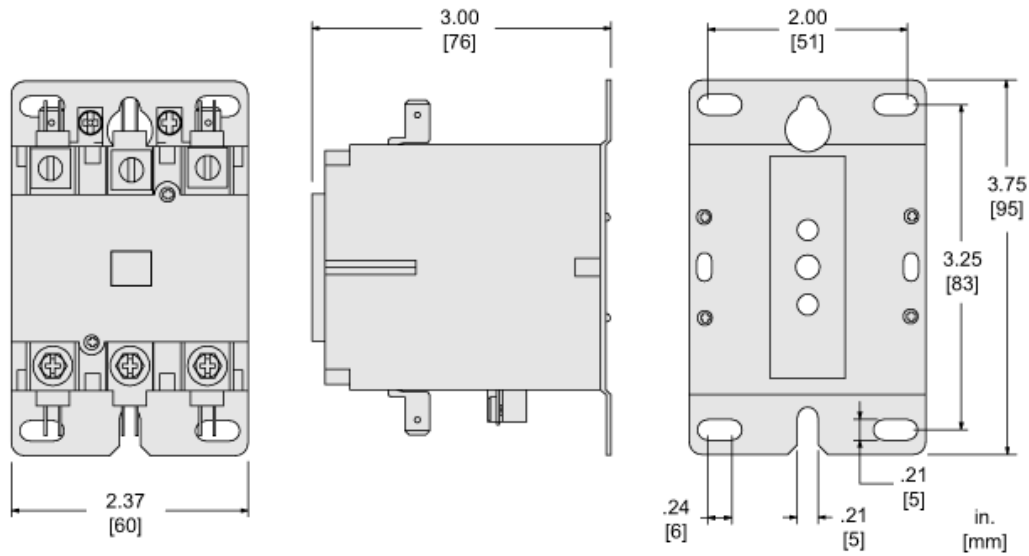
Offer Sustainability

REACH Regulation	REACH Declaration
EU RoHS Directive	Compliant EU RoHS Declaration
Mercury free	Yes
RoHS exemption information	Yes
China RoHS Regulation	China RoHS Declaration

Contractual warranty

Warranty	18 months
----------	-----------

Approximate Dimensions



Product Life Status : **Commercialised**